



Owner's Manual



Thank you for choosing the Team Magic E4JR. The E4JR includes a large selection of the important specialty parts when compared to the previous versions. Before you start building your new E4JR, we suggest you read through the instruction manual first. Be sure to check all assembly and performance tips before you start. We hope you enjoy the building processes.

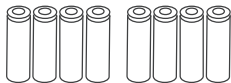
General Building Tips:

- ▶ Read the instruction manual before building.
- ▶ Clear a work area and try to work on a light color towel to avoid missing dropped parts.
- ▶ Don't over-tighten fasteners. Many assembly problems are caused by over-tightening screws or nuts. Don't use too large a grip. Please go slowly and feel the resistance build. Just snug it up.
- ▶ When it doesn't fit, please double check. If an assembly is not going together correctly, then either there really is a bad fit (e.g. a part is damaged or defective) or a mistake in assembly. Always re-read the instructions when there are any problems. If you cannot figure out what's wrong, always ask dealer, distributor or Team Magic. Don't use force beyond what the instructions call for.
- ▶ Using the right tools makes assembly much easier. The instructions below finely indicate you what tools to get to make things easier. We don't want to scare you by saying that all these tools are required, but you will have a easier time if you have them. Borrow them from a friend to check if necessary.
- ▶ The assembly is arranged so that you will open the bag and finish that bag before you go on to the next bag.

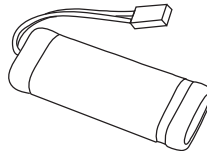
A Good Dealer Is Extremely Important!!

A good hobby dealer can help you with most assembly problems you might encounter. This is the main reason why you should buy your kits from a good dealer rather than from the cheapest dealer. Bring your problematic parts to the dealer and, most likely, you'll walk away soon thereafter with the problem solved. If you think that you really don't have the mechanical skills to complete the assembly, you may pay your dealer to finish the job for you.

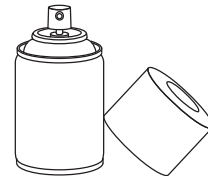
1 Additional Items Needed For Operation



AA-size Battery (For Transmitter)



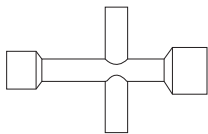
7.2V Battery Pack



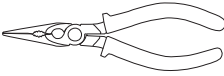
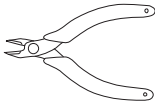
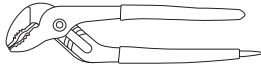



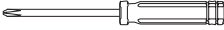
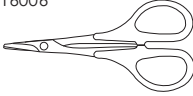

Body Paint

2 Tools Supplied

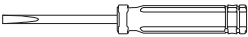
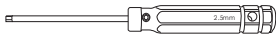
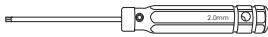

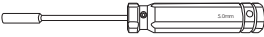
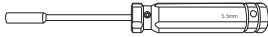

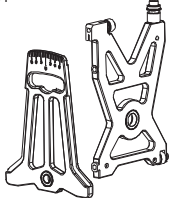
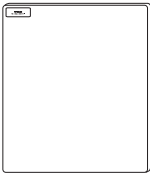
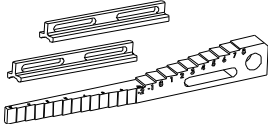
- Cross Wrench
(4, 5, 5.5 & 7mm)
#116043



3 Extra Stuff Needed

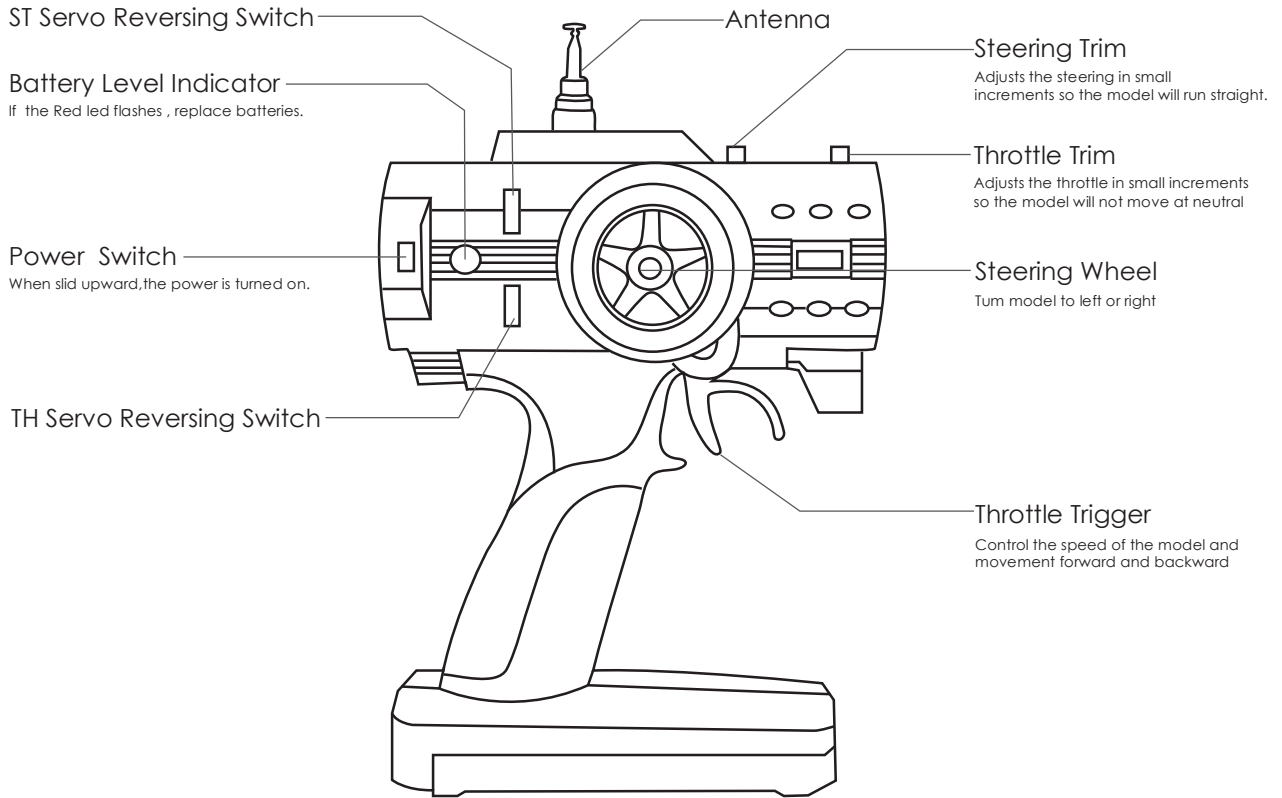
- Needlenose Pliers 
- Cutting Pliers (used to hold shock shafts) 
- Tongue and Groove Pliers 
- Hobby Knife (Warning!! This knife cuts nylon parts and fingers with equal ease. Be careful.) 
- TM Black HC Body Reamer (0-18mm) #117030 
- Caliper 
- Small Phillips Screwdriver (for pivoting body mount screws) 
- Body Scissors (for body cutting) #116006 
- Thread Lock 

4 Helpful Items (suggested, but not required)

- TM Black HC Carb Tuning Slotted Screw Driver (4mm) #117023 
- TM Black HC Hex Wrench Metric Size 1.5mm #117002-1M 
- TM Black HC Hex Wrench Metric Size 2.0mm #117002-2M 
- TM Black HC Hex Wrench Metric Size 2.5mm #117002-3M 
- TM Black HC Metric Ball Stud Nut Driver 5mm #117009 
- TM Black HC Nut Driver 5.5mm (for 3mm nut) #117010 
- TM Black HC Nut Driver 7mm (for 4mm nut) #117011 
- 1/10 Touring Car Cambertoe Setup Gauge (for 4mm wheel shaft) #H7101 
- TM 1/10 Setup Board (420x360mm) #116051 
- Hard Coated Alum. Ride Height & Droop Gauge (w/support blocks) #116039-2 

5 Cool Items (It would be good to have these items with your E4)

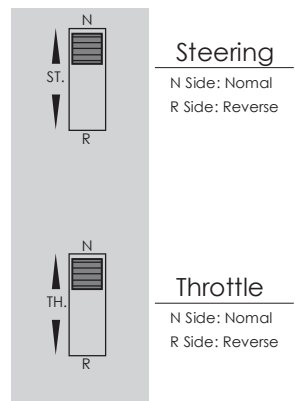
- TM Racing T Shirt (Orange) #119223 
- TM Racing T Shirt (Black) #119224 
- TM Transmitter Bag (Black) #119206 
- TM Formula 8 (F8) Car Bag #119220 



Servo Reverse

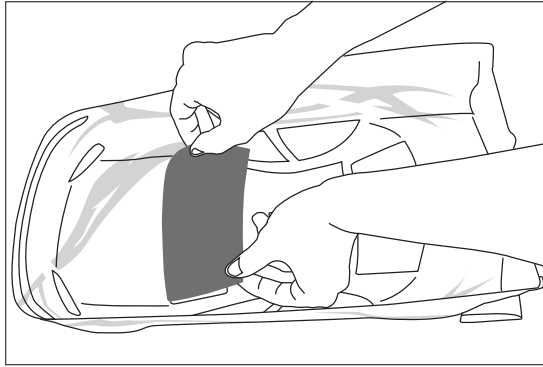
This function reverses the rotation direction of the Steering and Throttle servos.

When the trim position deviates from the center, the deviation will be on opposite side when the servo is reversed



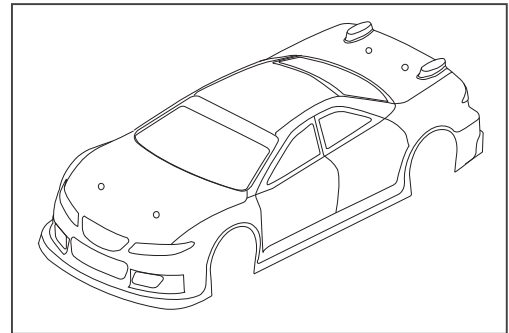
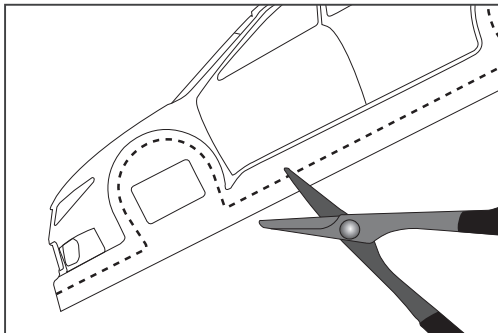
7 Operating Procedure

01 Please put on window masks on each window.

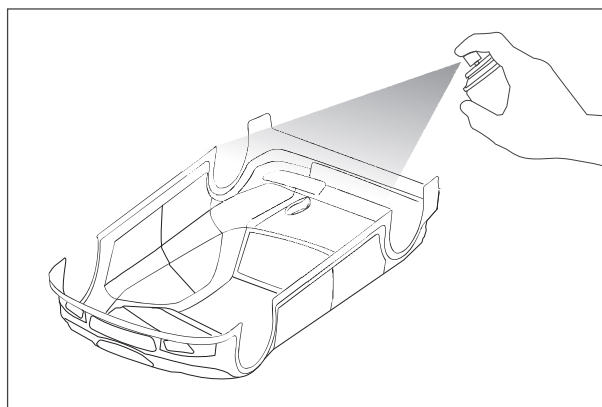


02 Please use model scissors to cut.

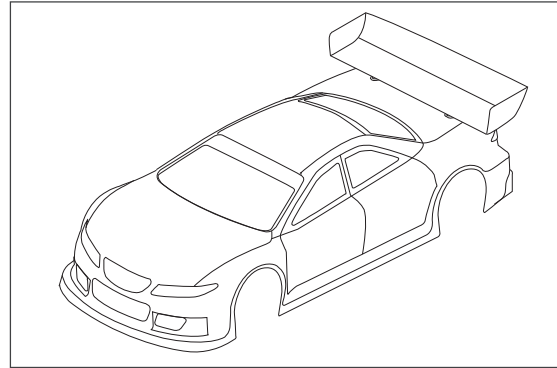
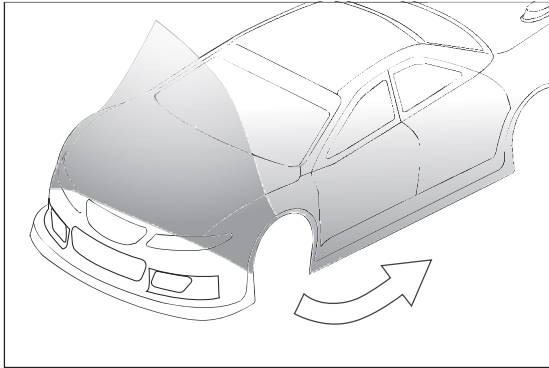
03 Please use model reamer & scissors to cut the body first. Please cut through the cutting line shown on the body & try to put the body on the car to fit. Use body reamer to open the holes for body post.



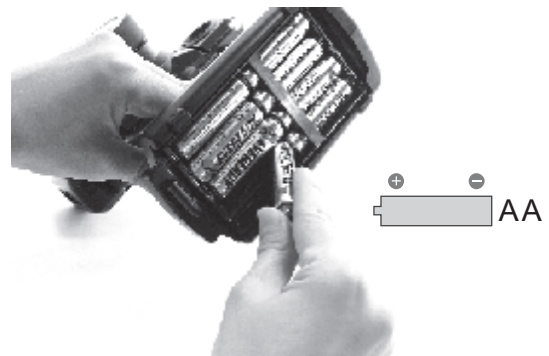
04 After you cut all the necessary part, please choose your favorite color to paint the main color.



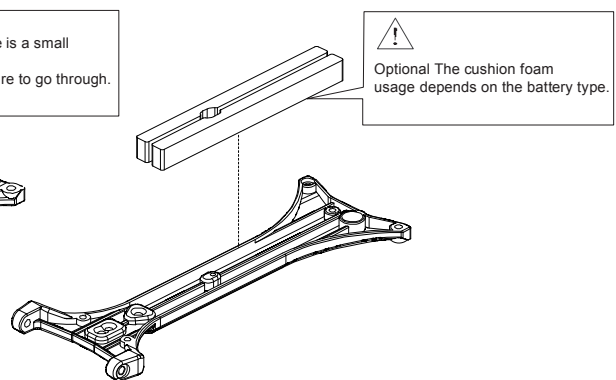
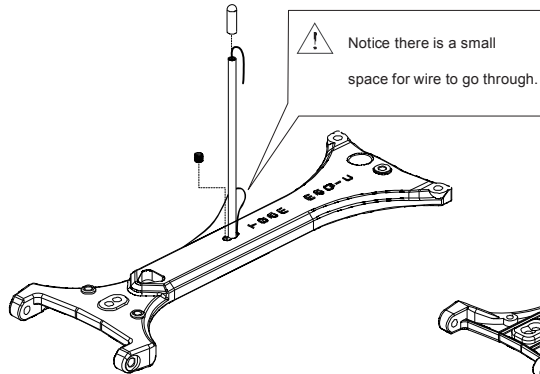
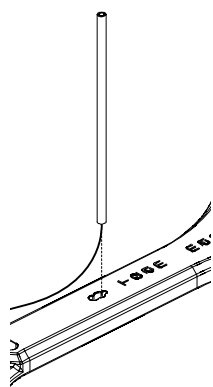
- 05** After finish the painting job, please try to remove the protective paint-then-peel over spray film. Then, you can try to put the stickers on the body.



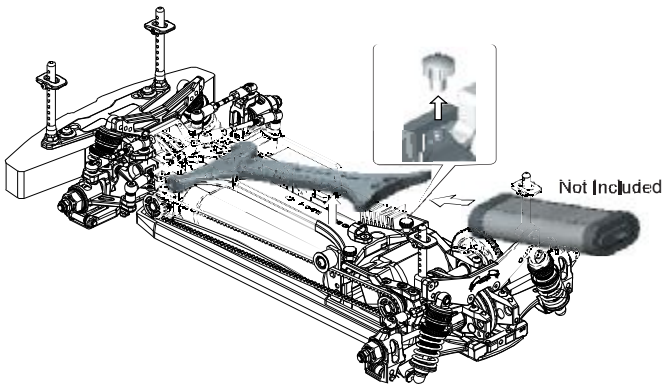
- 06** Install 8pcs AA batteries to the H.A.R.D. transmitter.



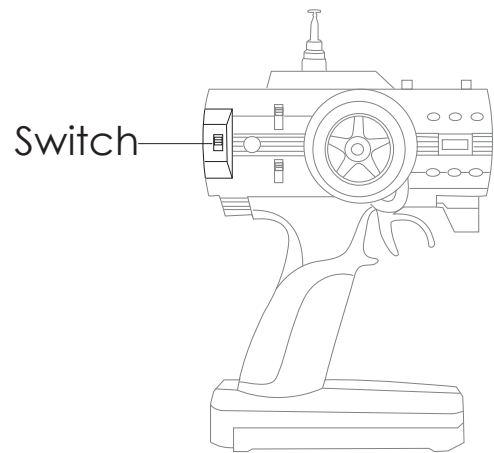
- 07** Insert the antenna wire into the tube as shown. Fasten the tube with a set screw and put on the tube cap.



08 Thumb nuts are used to fasten the battery holder. Use appropriate charger to charge the included receiver battery pack.



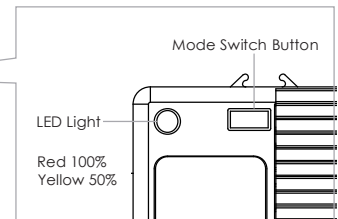
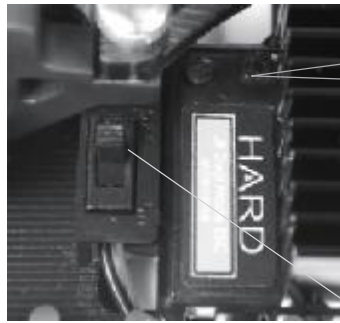
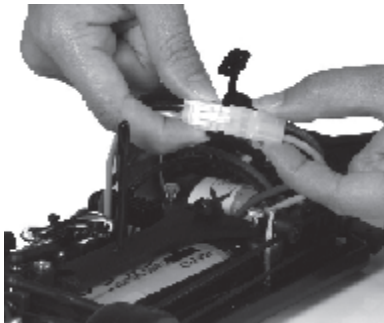
09 Turn on the transmitter first.



10 Connect the battery pack to the speed controller. Finally, switch on the speed controller power. H.A.R.D. Dual Mode Speed Controller is the most advanced speed controller at the market. There are two modes available: Gentle & Fierce.

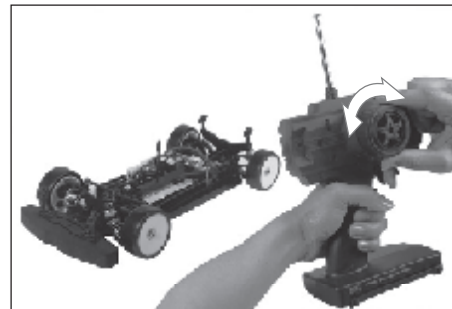
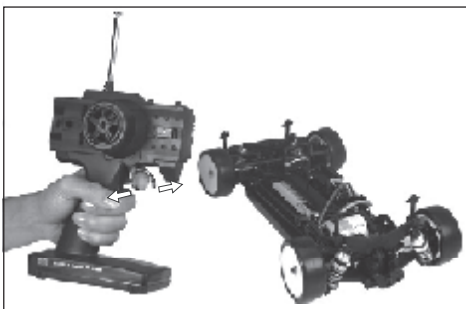
• Gentle Mode: Yellow Indication Light (50% output) • Fierce Mode: Red Indication Light (100% output)

After switch on, the speed controller will auto-reset the throttle neutral position within 5 seconds with beep sound. Push the button for 3 seconds on the speed controller to switch the mode.

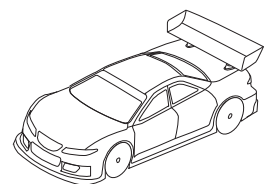


Switch

11 Rotate the transmitter wheel for left and right. Pull the trigger for acceleration and push the trigger for brake and reverse.



12 Put on the body & use body clips to secure the body.



SETUP SHEET



TRACK CONDITIONS								
Size:	low	1	2	3	4	5	high	Track Temp/Air Temp: _____° / _____° Best Lap: _____ Note: _____
Traction:	low	1	2	3	4	5	high	

FRONT

Stabilizer Length _____ mm

Camber Angle _____ °

Castor _____ °

Ride Height _____ mm

Down Stop _____ mm

Front Drive Diff One-Way Solid

Stabilizer 1.1 1.2 1.3 1.4 1.5 1.6 mm

Stabilizer Length _____ mm

Notes _____

2.5	F _____ mm	R _____ mm
1.5		

SHOCKS

Piston	Front			Rear				
	Hole Size	mm		Hole Size	mm			
	#of Holes	1	2	3	#of Holes	1	2	3
Oil wt.	_____							
Oil Brand	_____							
Springs	_____							
O-ring	_____							
Bladder note	_____							

Front _____ mm Thread Length _____ mm

Rear _____ mm

REAR

Stabilizer Length _____ mm

Camber Angle _____ °

Ride Height _____ mm

Down Stop _____ mm

Stabilizer 1.1 1.2 1.3 1.4 1.5 1.6 mm

Stabilizer Length _____ mm

Shim _____ mm

Rear Hub Toe _____ °

Notes _____

	F _____ mm	R _____ mm	2.5
			1.5

TIRES

Brand	Front		Rear	
	Insert	_____	_____	_____
Wheel	_____	_____	_____	_____
Shore / deg	_____	_____	_____	_____
Compound	_____	_____	_____	_____
Notes	_____			

Notes _____

F Toe Angle _____ ° R Toe Angle _____ °

1 _____ mm

2 _____ mm

1 _____ mm

2 _____ mm

FRONT PULLEY					REAR PULLEY					
_____ T					_____ T					
1	2	3	4	5	DIFF.	1	2	3	4	5
LOOSE	MEDIUM		TIGHT			LOOSE	MEDIUM		TIGHT	

Steering System

Single _____ Dual _____

Wheel Hubs

F Widthspacer _____ mm

R Widthspacer _____ mm

Front Width

_____ mm

Rear Width

_____ mm

R Upright spacer

Front _____ mm Rear _____ mm

Spur & Pinion

Spur (S) _____ } $\frac{S}{P} = \text{_____} \times 2.0588 = R$ Body _____

Pinion (P) _____

Final Drive Ratio (R) _____ Wing _____

Electronics

Transmitter _____

Receiver _____

Servo _____

ESC _____

Battery _____

Motor

Brand _____

Turns _____

Brushes _____

Springs _____

Timing _____



Date: _____ Driver: _____
 Event: _____ Car: _____
 Track: _____ Weight: _____

SETUP SHEET



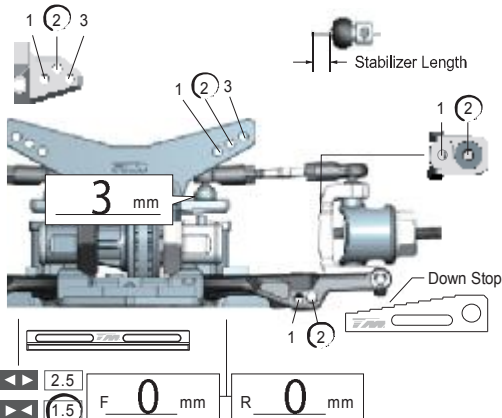
TRACK CONDITIONS

Size: low 1 2 3 4 5 high
 Traction: low 1 2 3 4 5 high

Track Temp/Air Temp: _____° / _____°

Best Lap: _____
 Note: _____

FRONT



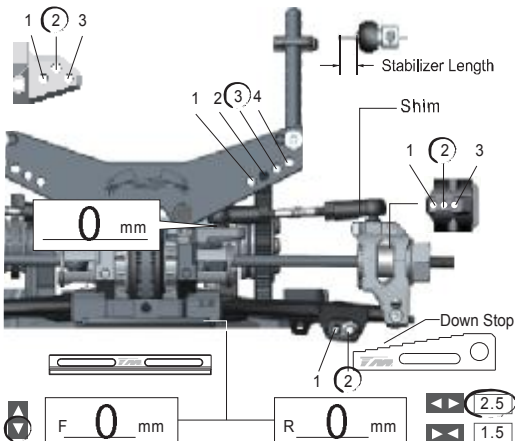
Camber Angle -1 °
 Castor 3 °
 Ride Height 5.5 mm
 Down Stop 4 mm
 Front Drive Diff One-Way Solid
 Stabilizer 1.1 1.2 1.3 1.4 1.5 1.6 mm
 Stabilizer Length _____ mm
 Notes _____

SHOCKS

	Front	Rear
Piston	Hole Size <u>1.2</u> mm #of Holes <u>1</u> <u>2</u> <u>3</u>	Hole Size <u>1.2</u> mm #of Holes <u>1</u> <u>2</u> <u>3</u>
Oil wt.	<u>300</u>	<u>300</u>
Oil Brand	<u>TM</u>	<u>TM</u>
Springs	<u>Original</u>	<u>Original</u>
Oring		
Bladder note		
Front	<u>4</u> mm	
Rear		<u>3</u> mm

Thread Length

REAR



Camber Angle -1 °
 Ride Height 6 mm
 Down Stop -2 mm
 Stabilizer 1.1 1.2 1.3 1.4 1.5 1.6 mm
 Stabilizer Length _____ mm
 Shim 0 mm
 Rear Hub Toe 0 °
 Notes _____

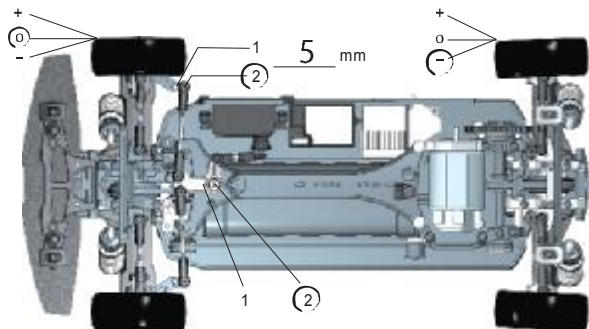
TIRES

	Front	Rear
Brand	<u>TM</u>	<u>TM</u>
Insert	<u>Original</u>	<u>Original</u>
Wheel	<u>TM</u>	<u>TM</u>
Shore / deg		
Compound		
Notes		

Notes _____

FRONT LEFT FRONT RIGHT TREATED AREA REAR LEFT REAR RIGHT

F Toe Angle 0 ° R Toe Angle 2.5 °



FRONT PULLEY					REAR PULLEY				
1	2	3	<u>4</u>	5	1	2	3	<u>4</u>	5
LOOSE		MEDIUM		TIGHT	LOOSE		MEDIUM		TIGHT

Steering System

Single Dual

Wheel Hubs

F Widthspacer 0 mm
 R Widthspacer 0 mm

Front Width

186 mm

Rear Width

186 mm

R Upright spacer

Front 0.9 mm Rear 0.9 mm

Spur & Pinion

Spur (S) _____
 Pinion (P) _____
 $\frac{S}{P} = \text{_____} \times 2.0588 = R$ Body TM-MAZ
 Final Drive Ratio(R) _____ Wing Original

Electronics

Transmitter _____
 Receiver _____
 Servo _____
 ESC _____
 Battery _____
Motor
 Brand _____
 Turns _____
 Brushes _____
 Springs _____
 Timing _____



E4JR Spare Parts

Item No.	Item Description
503104	E4 Alum. Hinge Pin Ball (4)
503115	E4 Front Rear Hinge Pin Mount Set
503117	E4 5x4mm Ball Stud (6)
503120	E4 Hinge Pin Mont Nylon Ball Cap (4)
503125	E4 Front Steering Block Set
503127	E4 Steering Block 5x10mm Ball Stud (4)
503130	E4 Front Lower Outer Hinge Pin (2)
503138	E4 5x7mm Ball Stud (6)
503141	E4 Middle Shaft Mount
503144	E4 Pulley O-Ring 7x2mm (10)
503145	E4 Bumper Post Set
503146	E4 Bumper Mount
503147	E4 Foam Bumper
503148	E4 Front Body Post Set
503150	E4 Rear Bracket
503152	E4 Rear Hub Carrier (2)
503154	E4 Rear Hub Carrier Washer (4)
503155	E4 Ball Diff Pulley 35T
503156	E4 Ball Diff Steel Ball 2.5mm (12)
503163	E4 Spur Gear 110T
503165	E4 Rear Belt
503167	E4 Rear Body Post Set
503169	E4 Main Shaft Upper Mount Set
503180	E4 Shock Spring Mount & Ball Cup (4)
503183	E4 Shock Spring (2)
503191	E4 New Shock Bladder (4)
503196	E4 Lightweight Front Bulkhead Upper Mount
503197	E4 Lightweight 17T Side Pulley
503202	E4 Front Lightweight Ball Diff Outdrive Set
503203	E4 New Ball Diff Plate (2)
503205	E4 Rear Lightweight Ball Diff Outdrive Set
503210	E4 Single Bell Crank Steering System
503212	E4 New Wide Side Belt
503213	E4 New Caster Block Ball Stud (4)
503214	E4 Caster Block Lower Screw (4)
503218	E4 Lightweight Rear Front Hinge Pin Mount
503219	E4 Speedo & Motor Vent Mount
503224	E4 Lightweight Rear Bulkhead Upper Mount
503226	E4 Special Servo Disc Ball Cup (2)
503228	E4 New Wide Rear Belt
503235	E4 Lightweight Caster Block Set (3 degree)
503236	E4 Nylon 17T Center Pulley
503250	E4J Shock Set (2)
503250-1	E4J Shock Cap Set (2)
503250-2	E4J Shock Shaft & Piston Set (2)
503250-3	E4J Shock Body Set (2)
503250-4	E4J Shock Body Hardware Set (2)
503251	E4J Front Nylon Shock Tower
503252	3.1x6.5x3mm Nylon Washer (6)
503253	E4J Front Nylon Bulkhead Set
503254	E4J Front Lower Arm Set
503255	E4J Nylon Quick Release Battery Holder
503256	E4J Battery Holder Screw (2)
503257	E4J Upper Deck / Belt Tensioner Mount
503258	E4J Belt Tensioner Set
503259	E4J Front Lower Inner Hinge Pin (2)
503260	E4J Front Front Nylon Hinge Pin Mount
503261	E4J Alum. Front/Rear CVA Shaft (2)
503262	E4J Wheel Adater (4)

Item No.	Item Description
503263	E4J Alum. Middle Shaft
503264	E4J Ball Diff Screw & Spring Set
503265	E4J Rear Lower Outer Hinge Pin (2)
503266	E4J Rear Lower Arm Set
503267	E4J Motor Mount
503268	E4J Rear Nylon Bulkhead Set
503269	E4J Rear Lower Inner Hinge Pin (2)
503270	E4J Nylon Main Shaft Left Mount
503271	E4J Rear Rear Nylon Hinge Pin Mount
503272	E4J Alum. 7075 Main Shaft
503273	E4J Spur Gear Holder
503274	E4J Rear Nylon Shock Tower
503275	E4J Servo Mount
503276	E4J Front Chassis
503277	E4J Main Chassis
503278	E4J Rear Chassis
503279	E4JS Rear Hub Carrier Nylon Washer (4)
503280	3.1x6.5x5mm Nylon Washer (6)
503281	E4J Nylon Front Upper Linkage (2)
503282	E4J Nylon Steering Linkage (2)
503283	E4J Nylon Rear Upper Linkage (2)
503284	E4 37T Pinion Gear
503285	E4 24mm Mounted Rubber Tire (Dish Wheel) (4)
503186F	E4 Servo Saver (for Futaba)
H6801	HT2PGX 2 Channel AM 27MHz / 2 H3003 Servo
H6802	HR132JE 2 Channel AM Receiver 27MHz w/o Crystal
H6803	H.A.R.D. HS3003 Servo
H6804	H.A.R.D. JR Dual Mode ESC (w/reverse)
H6805	H.A.R.D. X3 Motor
111007F	3mm Flat Locknut(10)
111120	R6 R-clip (10)
111160	4mm Special Wheel Lock Nut (4)
115024	4mm Short Thread Ball Stud & Ball Cup (for 3mm rod) (5)
116202	E-clip 2.5 (10)
116206	2x10mm Pin (10)
126303S	3x3mm Set Screw (6)
126306	3x6mm Steel FH Screw (6)
126306BU	3x6mm Steel Button Head Screw (6)
126306S	3x6mm Set Screw (6)
126308	3x8mm Steel F.H. Screw (6)
126308BU	3x8mm Steel Button Head Screw (6)
126308C	3x8mm Steel Cap Screw (6)
126310	3x10mm Steel F.H. Screw (6)
126312BU	3x12mm Button Head Screw (6)
126314BU	3x14mm Button Head Screw (6)
126403S	4x3mm Set Screw
150508	5x8x2.5mm Bearing (2)
150612	6x12x4mm Bearing (4)
150814	8x14x4mm Bearing (2)
151015	10x15x4mm Bearing (4)
151218	12x18x4mm Bearing (4)
116131- 4A	3x14mm Alum. 7075 Adjustable Rod (2)
150308TF	3x8mm Thrust Bearing Flat (1)
K1005	Special 3mm Servo Holding Screw (5)
K6301	Black Grease (for thrust bearing as well, 4g)
K6302	Ball Diff Lube (4g)



Complementary Manual

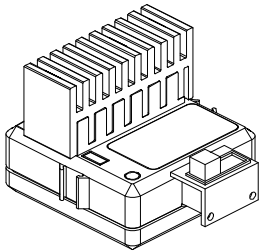
E4JR Main Spec:

- Weight—1480g
- Length--374mm
- Width--186mm adjustable
- 1/10 EP Sedan (Factory Assembled)

- Drive ratio--2.059
- Gear Ratio 37T / 110T
- Caster block--3 degree
- Wheelbase--257~259mm

H6804 H.A.R.D. JR Dual Mode ESC (w/reverse)

FEATURES:



- All connectors are pre-installed
- Low-battery feature automatically cuts motor power when power levels become too low.
- Heat/overload/short circuit protection
- There are two modes available: Gentle & Fierce.
Gentle Mode: Yellow Indication Light (50% output)
Fierce Mode: Red Indication Light (100% output)
- Operates motors that are 19+ turns (Stock Motors)

INCLUDES:

One H.A.R.D. JR Dual Mode ESC (w/reverse), Futaba J receiver connector, standard type battery connector and ON/OFF switch.

SPECS:

BEC : 5.0V/1A

Length : 36mm

Width : 36mm

Height : 27.5mm

Motor Limit : 19+ turns

Heat Overload : 85-90°C

Weight : 47.3g (including wires)

Low Battery Alarm Below : 4.5V



Cautions !!

To prevent any serious personal injury or damage to property, please be responsible when operating this radio controlled car. Team Magic and its distributors have no control over damage resulting from shipping, improper construction or improper usage. Team Magic accepts no responsibility for damages resulting from the use of improper building equipment and operations. By the act of assembling or operating this product, the user accepts all liability. If the buyer is not prepared to accept this liability, then he/she should return this product in a new, unassembled and unused condition to the place of purchase.

- ▶ This is not a toy. It is a high speed r/c car for persons age 15 and older.
- ▶ Choose the right place to drive your r/c model
 - Don't run on streets or highways. This could cause serious accidents.
 - Don't run r/c cars near people or animals.
 - Don't run in the house. There is a high risk of fire.
 - Don't run nearby hospitals or schools. Loud noises may disturb others.
- ▶ Always inspect your model before operation
 - Always make sure that no one else is using the same frequency when you are using
 - Always make sure your transmitter and batteries are fully charged to avoid losing control of the model.

Based on continuous product development, the up-to-date specifications of the kit may vary. We reserve all rights to change any specification without prior notice.



Team Magic Model Industrial co.Ltd.
No.185-2, 38th Road,
Taichung industrial Park, Taichung, Taiwan 407
E-mail: service@teammagic.com.tw
Web: www.teammagic.com.tw
Tel: 886-4-23552606 Fax: 886-4-23552946